

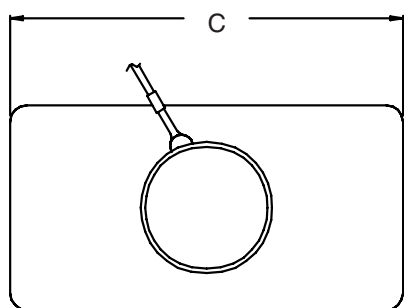
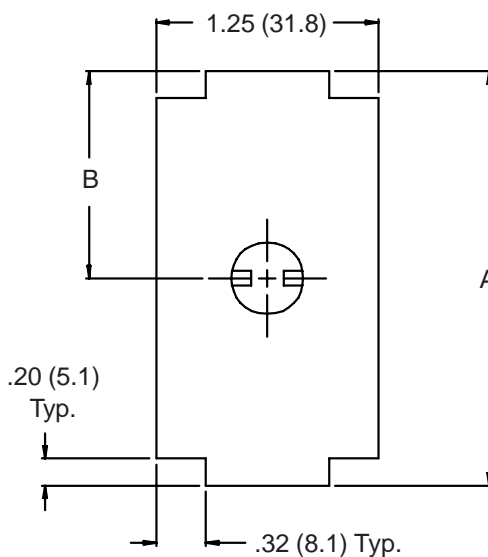
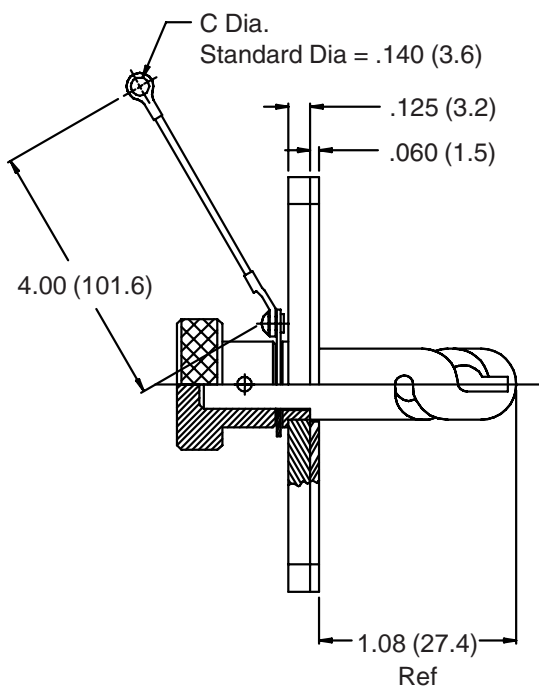
**667-091**  
**Protective Cover for**  
**Hypertronics NEBY Connectors**  
**Universal for Pin and Socket Contacts**

**667-091-19 C 08 -186 P**

Basic Part No. \_\_\_\_\_  
 Shell Size (Table I) \_\_\_\_\_  
 Finish (Table III) \_\_\_\_\_  
 Ring Dash No. (Table II), Omit for Standard \_\_\_\_\_

P = Connector with Pin Contact, Omit for Standard Socket Contacts (See Note 2)

Post Bake Gasket For Space Application, Omit if Not Required



**"P" Pin Contact Option (See Part Number Development and Note 2)**

